

Every pump tested in water to ensure pump meets performance curve.



FEATURES/BENEFITS

PERFORMANCE

Heads up to 34' TDH
Flows up to 109 GPM

MOTOR

High efficient, 115v or 230v, oil filled, permanent split capacitor motor with upper and lower ball bearings and thermal overload protection

- Constant bearing lubrication
- Maximum motor cooling
- Runs cooler and lasts longer
- Internal overload protection
- Quiet operation
- Fasteners and shaft made from rugged, corrosion resistant stainless steel

SEAL DESIGN

Type 21 inboard seal design with secondary exclusion seal

- Rotating components of seal are in the motor housing, being lubricated by the motor oil preventing foreign matter from wrapping around the seal components
- Seal will last longer if the pump runs dry
- Secondary exclusion seal keeps debris from entering the seal cavity

IMPELLER DESIGN

Non-clog style, cast-iron vortex impeller

- Designed to help reduce clogging by foreign material

POWER CORD

Sealed entry quick disconnect power cords

- Prevents water from entering the motor housing through a cut cord
- Easy to replace in the field
- Available in lengths up to 100'

SWITCH

Piggy-back switch design

- Defective switches can be diagnosed over the phone
- Pump can be operated manually or supplied with other piggy-back switches
- Switch can be replaced without having to replace the pump

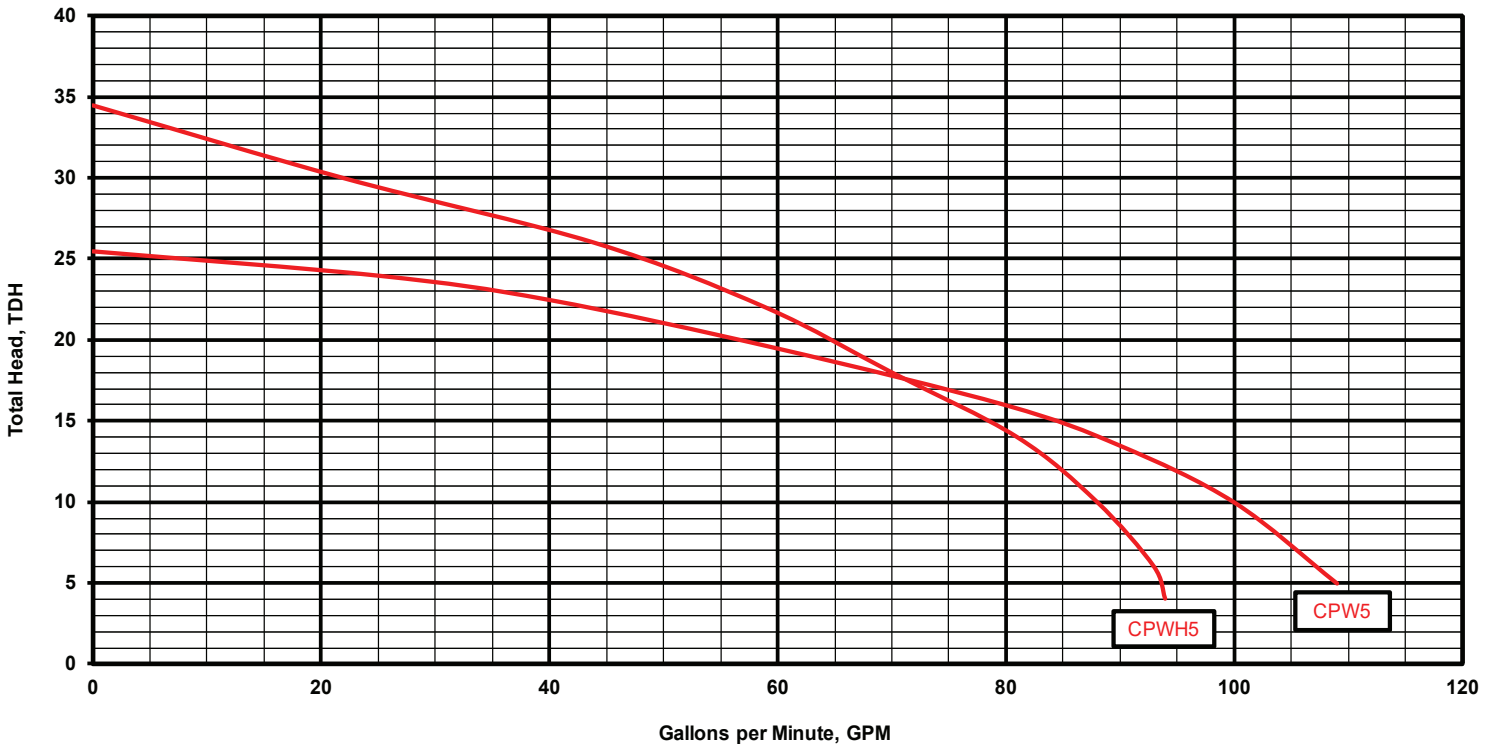
APPLICATIONS

Basements, dewatering, septic systems, sewage lift stations, add-a-baths and truck docks



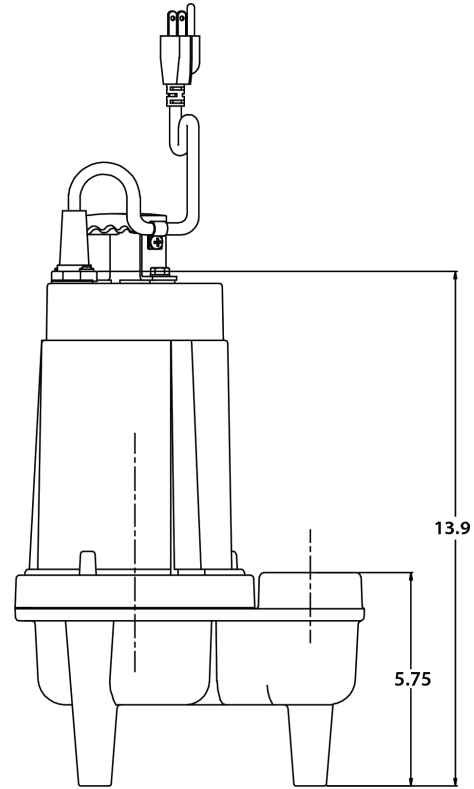
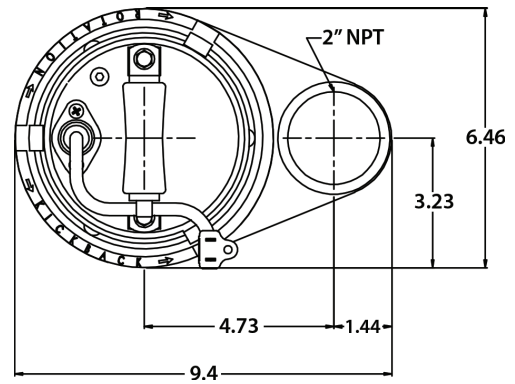
1/2 HP submersible pumps that handle up to 2" solids with 2" discharge

PERFORMANCE CURVE



TECHNICAL DATA

| | |
|-------------------------------------|--|
| DISCHARGE | 2" NPT. vertical standard |
| SOLIDS HANDLING | 2" CPW, 1-1/2" CPWH |
| LIQUID TEMPERATURE | 140 Degrees F. (Intermittent) |
| MOTOR HOUSING | Cast Iron |
| VOLUTE | Cast Iron |
| SEAL PLATE | Cast Iron |
| IMPELLER | Cast Iron / Vortex |
| SHAFT | Stainless Steel |
| SHAFT SEAL (SINGLE SEAL) | Inboard mechanical with secondary exclusion V-Seal, carbon rotating face, ceramic stationary face, Buna-N elastomer, 300 series stainless steel hardware |
| BEARINGS (UPPER & LOWER) | Single row, ball, oil lubricated |
| HARDWARE | 300 Series stainless steel |
| O-RINGS | Buna-N |
| CORD | 10' Length standard. Up to 100' available. (UL/CUL) Listed 16 AWG, Type SJTW |
| MOTOR (SINGLE PHASE) | 1/2 HP 3450 RPM, 60 Hz, NEMA L Includes overload protection in the motor, oil filled, class B permanent split capacitor |
| WEIGHT | 37 lbs. (Manual) |



MODEL(S) INFORMATION

| MODEL | HP | VOLTS | PHASE | AMPS | CORD LENGTH | SWITCH |
|----------------------|-----|-------|-------|------|-------------|------------------|
| CPW5-11 / CPWH5-11 | 1/2 | 115 | 1 | 11.5 | 10' | Manual |
| CPW5-12 / CPWH5-12 | 1/2 | 115 | 1 | 11.5 | 20' | Manual |
| CPW5-13 / CPWH5-13 | 1/2 | 115 | 1 | 11.5 | 30' | Manual |
| CPW5-15 / CPWH5-15 | 1/2 | 115 | 1 | 11.5 | 50' | Manual |
| CPW5A-11 / CPWH5A-11 | 1/2 | 115 | 1 | 11.5 | 10' | Wide-Angle Float |
| CPW5A-12 / CPWH5A-12 | 1/2 | 115 | 1 | 11.5 | 20' | Wide-Angle Float |
| CPW5A-13 / CPWH5A-13 | 1/2 | 115 | 1 | 11.5 | 30' | Wide-Angle Float |
| CPW5V-11 / CPWH5V-11 | 1/2 | 115 | 1 | 11.5 | 10' | Vertical Float |
| CPW5V-12 / CPWH5V-12 | 1/2 | 115 | 1 | 11.5 | 20' | Vertical Float |
| CPW5V-13 / CPWH5V-13 | 1/2 | 115 | 1 | 11.5 | 30' | Vertical Float |
| CPW5-22 / CPWH5-22 | 1/2 | 230 | 1 | 5.75 | 20' | Manual |
| CPW5A-22 / CPWH5A-22 | 1/2 | 230 | 1 | 5.75 | 20' | Wide-Angle Float |
| CPW5V-22 / CPWH5V-22 | 1/2 | 230 | 1 | 5.75 | 20' | Vertical Float |